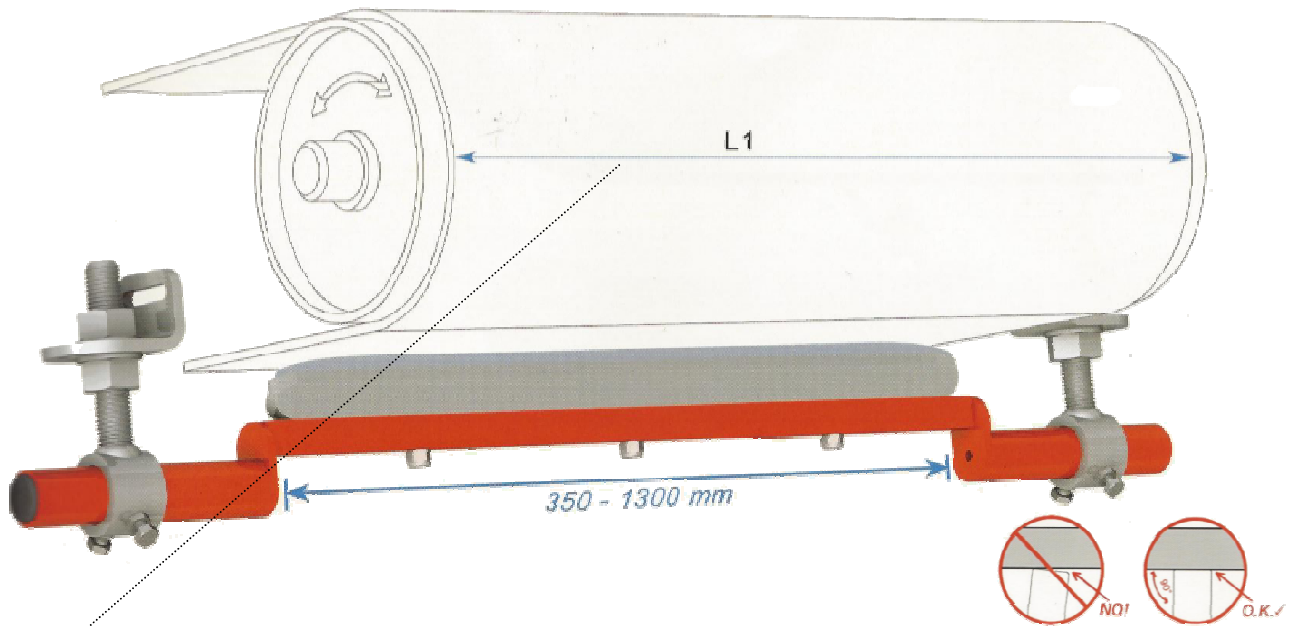




# RACLEUR- REA 2.0



L1 mm	L2 mm	L3 mm	Ø d mm	A	B	C	D
400	350	900	48	11410-350_2.0	11420-350_2.0	M24x160 (53310-48)	53315
500	450	1000	48	11410-450_2.0	11420-450_2.0		
650	600	1200	48	11410-600_2.0	11420-600_2.0		
800	750	1300	48	11410-750_2.0	11420-750_2.0	M30x160 (53311-48)	53316
1000	950	1500	48	11410-950_2.0	11420-950_2.0		
1200	1125	1700	60	11410-1125_2.0	11420-1125_2.0	M36x200 (53312-60)	53316
1400	1300	1900	60	11410-1300_2.0	11420-1300_2.0		

